

BRUNSWICK STREET OVAL GRANDSTAND



IMG 2222



Extent of registration aerial



IMG 2244



IMG 6858



FITZROY CRICKET
GROUND GRANDSTAND
SOHE 2008



fitzroy cricket ground
grandstand brunswick street
fitzroy side view aug1985



h00751 fitzroy cricket ground
grandstand brunswick street
fitzroy distant view she
project 2004



h00751 fitzroy cricket ground
grandstand brunswick street
fitzroy side view she project
2004



fitzroy cricket ground
grandstand brunswick street
fitzroy rear view may1993



fitzroy cricket ground
grandstand brunswick street
fitzroy site view

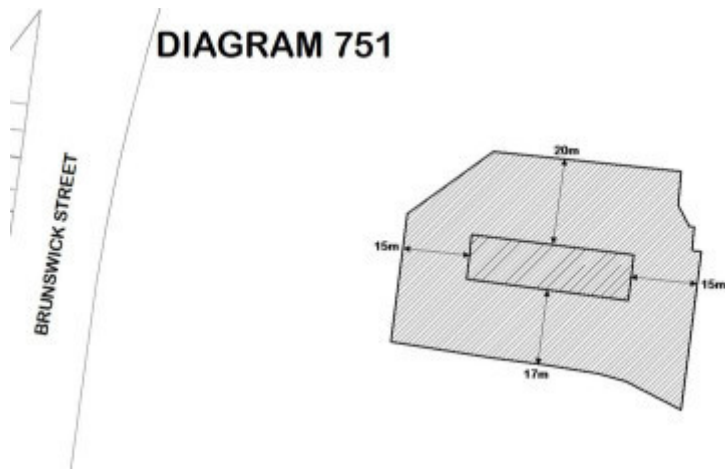


DIAGRAM 751

Location

BRUNSWICK STREET FITZROY NORTH, YARRA CITY

Municipality

YARRA CITY

Level of significance

Registered

Victorian Heritage Register (VHR) Number

H0751

Heritage Overlay Numbers

HO215

VHR Registration

June 27, 1990

Amendment to Registration

June 18, 2020

Heritage Listing

Victorian Heritage Register

Statement of Significance

Last updated on - May 20, 2024

What is significant?

The Brunswick Street Oval Grandstand building including its fixtures and fittings. The 1980s Community Room to the east of the grandstand is not significant.

How is it significant?

The Brunswick Street Oval Grandstand is of architectural and historical significance to the State of Victoria.

The place satisfies the following criteria for inclusion in the Victorian Heritage Register:

Criterion A: Importance to the course, or pattern, of Victoria's cultural history

Criterion D: Importance in demonstrating the principal characteristics of a class of cultural places/objects.

Why is it significant?

The Brunswick Street Oval Grandstand is historically significant as one of the earliest surviving nineteenth-century grandstands in the metropolitan area. Constructed in 1888, the grandstand has an enduring association with the development of Australian rules football and cricket and their growth as popular recreational pastimes from the late nineteenth century onwards. The ground was the home of the Fitzroy Football Club from 1884 until 1966 and the Grandstand remains as an important reminder of the contribution made by Fitzroy to the history of Australian rules football in Victoria (Criterion A).

The Brunswick Street Oval Grandstand is architecturally significant as a fine and intact example of a nineteenth-century timber grandstand. It was designed by noted architect Nathaniel Billing and exhibits high quality design characteristics in its symmetrical composition and restrained decorative details. Many grandstands constructed in this era have been demolished or substantially altered and it remains a comparatively intact surviving example (Criterion D).

Permit Exemptions

General Exemptions:

General exemptions apply to all places and objects included in the Victorian Heritage Register (VHR). General exemptions have been designed to allow everyday activities, maintenance and changes to your property, which don't harm its cultural heritage significance, to proceed without the need to obtain approvals under the Heritage Act 2017.

Places of worship: In some circumstances, you can alter a place of worship to accommodate religious practices without a permit, but you must [notify](#) the Executive Director of Heritage Victoria before you start the works or activities at least 20 business days before the works or activities are to commence.

Subdivision/consolidation: Permit exemptions exist for some subdivisions and consolidations. If the subdivision or consolidation is in accordance with a planning permit granted under Part 4 of the *Planning and Environment Act 1987* and the application for the planning permit was referred to the Executive Director of Heritage Victoria as a determining referral authority, a permit is not required.

Specific exemptions may also apply to your registered place or object. If applicable, these are listed below. Specific exemptions are tailored to the conservation and management needs of an individual registered place or object and set out works and activities that are exempt from the requirements of a permit. Specific exemptions prevail if they conflict with general exemptions.

Find out more about heritage permit exemptions [here](#).

Specific Exemptions:

INTRODUCTION TO PERMIT EXEMPTIONS

Preamble

The purpose of this information is to assist owners and other interested parties when considering or making decisions regarding works to a registered place. It is recommended that any proposed works be discussed with an officer of Heritage Victoria prior to making a permit application. Discussing proposed works will assist in answering questions the owner may have and aid any decisions regarding works to the place.

The extent of registration of the Brunswick Street Oval Grandstand in the Victorian Heritage Register affects the whole place shown on Diagram 751 including the land, buildings (exteriors and interiors), roads, trees, landscape elements and other features. Under the Heritage Act 2017 a person must not remove or demolish, damage or despoil, develop or alter or excavate, relocate or disturb the position of any part of a registered place or object without approval. It is acknowledged, however, that alterations and other works may be required to keep places and objects in good repair and adapt them for use into the future.

If a person wishes to undertake works or activities in relation to a registered place or registered object, they must apply to the Executive Director, Heritage Victoria for a permit. The purpose of a permit is to enable appropriate change to a place and to effectively manage adverse impacts on the cultural heritage significance of a place as a consequence of change. If an owner is uncertain whether a heritage permit is required, it is recommended that Heritage Victoria be contacted.

Permits are required for anything which alters the place or object, unless a permit exemption is granted. Permit exemptions usually cover routine maintenance and upkeep issues faced by owners as well as minor works or works to the elements of the place or object that are not significant. They may include appropriate works that are specified in a conservation management plan. Permit exemptions can be granted at the time of registration (under s.38 of the Heritage Act) or after registration (under s.92 of the Heritage Act). It should be noted that the addition of new buildings to the registered place, as well as alterations to the interior and exterior of existing buildings requires a permit, unless a specific permit exemption is granted.

Disrepair of registered place or registered object

Under s.152 of the Act, the owner of a registered place or registered object must not allow that place or object to fall into disrepair.

Failure to maintain registered place or registered object

Under s.153 of the Act, the owner of a registered place or registered object must not fail to maintain that place or object to the extent that its conservation is threatened.

Conservation management plans

It is recommended that a Conservation Management Plan is developed to manage the place in a manner which respects its cultural heritage significance.

Aboriginal cultural heritage

If works are proposed which have the potential to disturb or have an impact on Aboriginal cultural heritage it is necessary to contact Aboriginal Victoria to ascertain any requirements under the Aboriginal Heritage Act 2006. If any Aboriginal cultural heritage is discovered or exposed at any time it is necessary to immediately contact Aboriginal Victoria to ascertain requirements under the Aboriginal Heritage Act 2006.

Other approvals

Please be aware that approval from other authorities (such as local government) may be required to undertake works.

Archaeology

There is no identified archaeology of state level significance at the place.

Cultural heritage significance

Overview of significance

The cultural heritage significance of the Brunswick Street Oval Grandstand lies in the grandstand building, attached features and fixtures and its relationship to the oval and broader context. The 1980s community room to the east of the grandstand is not significant. Other recreational facilities introduced in the late twentieth century such as the bocce court are not significant.

CATEGORIES OF WORKS OR ACTIVITIES (PERMIT EXEMPTIONS) RECOMMENDED UNDER S.38

The following works do not require a permit provided that they are carried out in a manner which does not harm the cultural heritage significance of the Brunswick Street Oval Grandstand.

General Conditions

All exempted alterations are to be planned and carried out in a manner which prevents damage to the significant fabric of the Brunswick Street Oval Grandstand.

Should it become apparent during further inspection or the carrying out of works that original or previously hidden or inaccessible details of the Brunswick Street Oval Grandstand are revealed which relate to the significance of the place or object, then the exemption covering such works shall cease and Heritage Victoria shall be notified as soon as possible.

All works should ideally be informed by a Conservation Management Plan prepared for the place.

The Executive Director is not bound by any Conservation Management Plan, and permits still must be obtained for works suggested in any Conservation Management Plan.

Nothing in this determination prevents the Heritage Council from amending or rescinding all or any of the permit exemptions. Nothing in this determination exempts owners or their agents from the responsibility to seek relevant planning or building permits from the relevant responsible authority, where applicable.

Specific Permit Exemptions

Grandstand

Exterior

- Minor repairs and maintenance which replaces like with like. Repairs and maintenance must maximise protection and retention of significant fabric and include the conservation of existing details or elements. Any repairs and maintenance must not exacerbate the decay of fabric due to chemical incompatibility of new materials, obscure fabric or limit access to such fabric for future maintenance.
- Repair to or removal of items such as air conditioners, pipe work, ducting, wiring, antennae and aerials.
- Works or activities, including emergency stabilisation, necessary to secure safety in an emergency where a structure or part of a structure has been irreparably damaged or destabilised and poses a safety risk to its users or the public. Note: The Executive Director, Heritage Victoria, must be notified within seven days of the commencement of these works or activities.
- Painting of previously painted surfaces in the same colour, finish and product type provided that preparation or painting does not remove earlier paint finishes or schemes. Note: This exemption does not apply to decorative finishes or unpainted, oiled or varnished surfaces.
- Cleaning including the removal of surface deposits or graffiti by the use of low-pressure water (less than 300 psi at the surface being cleaned) and neutral detergents and mild brushing and scrubbing with plastic not wire brushes.
- Repair and maintenance to existing signage and replacement of signage where it is to the same scale and in the same location.
- Repair to and removal of existing exterior lighting and public address systems.

Interior

- Painting of previously painted surfaces in the same colour, finish and product type provided that preparation or painting does not remove earlier paint finishes or schemes. Note: This exemption does not apply to decorative finishes or unpainted, oiled or varnished surfaces.
- Removal or replacement of devices for the hanging of wall mounted artworks, noticeboards and signage in existing locations.
- Installation, removal or replacement of carpets and/or flexible floor coverings and window furnishings such as curtains and blinds.
- Removal or replacement of smoke and fire detectors, alarms and the like, of the same size and in existing locations.
- Repair, removal or replacement of existing ducted, hydronic or concealed radiant type heating provided that the central plant is concealed, and that the work is done in a manner which does not alter building fabric.
- Installation of plant within the roof space, providing that it does not impact on the external appearance of the building or involve structural changes.

1980s Community Rooms

All the works and activities specified for the Grandstand, plus:

- All works to the interior of the Community Room.

Events

The installation and/or erection of temporary elements associated with authorised short-term events provided they are not attached to the grandstand building and are in situ for a maximum period of 30 days after which time they must be removed. This includes:

- o Temporary structures such as marquees.
- o Temporary security fencing, scaffolding, hoardings or surveillance systems.
- o Temporary infrastructure, including lighting, portable toilets, public address systems and the like to support events and performances.
- o Temporary micro tenancies such as food trucks and the like, with ground protection.
- o Temporary operational equipment such as freestanding wayfinding/directional signage.

Landscape/ outdoor areas

- The processes of gardening including mowing, pruning, mulching, bedding displays, removal of dead shrubs, planting and replanting of garden beds, disease and weed control and maintenance to care for existing plants.
- Management and maintenance of trees including formative and remedial pruning, removal of deadwood and pest and disease control.
- The removal or pruning of dead or dangerous trees to maintain safety.
- Establishment of new garden beds and low-level plantings except where this involves major excavation.
- Installation of new pathways where they do not involve major excavation or interface with the fabric of the grandstand.
- Subsurface works involving the installation, removal or replacement of existing watering and drainage systems or other services provided there are no visible above ground elements. Existing lawns, gardens and hard landscaping, including paving, footpaths and roadways are to be reinstated on the completion of works.

- Repair and maintenance of existing hard landscaping including paving, footpaths and roadways where fabric, design, scale, form and method of fixing is repaired or replaced like for like.
- Repair, maintenance or removal of bocce court.
- Removal or replacement of external directional or informational signage provided the size, location and material remains the same.
- Maintenance, repair and replacement of existing services such as plumbing, electrical cabling, surveillance systems, external lighting, pipes or fire services which does not involve changes in location or scale of above ground elements, or major excavation.
- Maintenance, repair and removal of the existing water tank, bins, bin cages, benches, bollards and fencing and replacement of these items provided they are of the same scale and in the same location.

Theme

9. Shaping cultural and creative life

Construction dates	1888,
Architect/Designer	Billing, Nathaniel,
Heritage Act Categories	Registered place,
Other Names	FITZROY FOOTBALL CLUB GRANDSTAND, FITZROY FOOTBALL GROUND GRANDSTAND, FITZROY GRANDSTAND, FITZROY CRICKET GROUND GRANDSTAND, EDINBURGH GARDENS GRANDSTAND, FORMER FITZROY CRICKET CLUB GRANDSTAND, WT PETERSON OVAL GRANDSTAND,
Hermes Number	447
Property Number	

History

WHAT IS THE HISTORY OF THE PLACE? The site for the Edinburgh Gardens was reserved in 1862. In the same year, cricket teams were given permission to occupy part of the reserve and began to introduce improvements to support the use of the place for sports. The Fitzroy Football Club was formed in 1883 and began playing at the ground. Cricket and Australian Rules football continued to grow in popularity in the late nineteenth century, and in 1888 the cricket club had the resources to commission the construction of the Fitzroy Cricket Ground Grandstand. The grandstand was designed by Nathaniel Billing, then working as N. Billing and Son. In 1905 an additional grandstand, similar in design, was constructed to the west of the 1888 grandstand. In 1966, the Fitzroy Football Club vacated the ground. In the 1970s, the 1905 grandstand was destroyed by fire. After a period of neglect, the surviving 1888 grandstand was refurbished, and additional community facilities added. Further works were undertaken in the early 1990s and 2000s. In 2020 the grandstand was home to sports teams including the Edinburgh Cricket Club and Fitzroy Football Club.

Extent of Registration

As Executive Director for the purpose of the Heritage Act 2017, I give notice under section 53 that the Victorian Heritage Register is amended by modifying a place in the Heritage Register:

Number: H0751

Category: Registered Place

Place: Brunswick Street Oval Grandstand

Location: Brunswick Street, Fitzroy North

Municipality: Yarra City Council

All of the place shown hatched on Diagram 751 encompassing part of Allotment 6 Section 34 at North Fitzroy, Parish of Jika Jika.

This place/object may be included in the Victorian Heritage Register pursuant to the Heritage Act 2017. Check the Victorian Heritage Database, selecting 'Heritage Victoria' as the place source.

For further details about Heritage Overlay places, contact the relevant local council or go to Planning Schemes Online <http://planningschemes.dpcd.vic.gov.au/>